



	.....	1
	.....	1
	.....	
1-1	.....	
1-1	.....	
1-	.....	
1-	.....	
1-	.....	
1-	.....	11
1-	.....	1
1-	.....	1
1-	.....	1
1-	.....	1
1-10	.....	1
1-11	.....	
1-1	.....	
1-1	.....	
1-1	.....	
1-1	.....	
1-1	.....	0
1-1	.....	
1-1	.....	
	.....	
-1	.....	
-1	.....	
-	.....	0
-	.....	1
-	.....	
-	.....	
-	.....	
-	.....	
-	.....	1
-10	.....	
-11	.....	
-1	.....	
-1	.....	
-1	.....	1
-1	.....	
-1	.....	
-1	.....	
-1	.....	
	.....	0



[ 2014] 55

- 1.
- 2.
- 3.
- 4.

--

--

		1-1	1	1-1	1-1
		-1	1	-1	-1
		-1	1	-1	-1

1

I/O

C

/

Kei I C

2

1

/ /

Kei I C

MCU

/ /

2

6S ( )

/

3

120

4

20		10	0	
				1
				2
		10		3
				4
			5	

10

5

30

1



2

PCB

E

3

1



2

PCB  
E

3

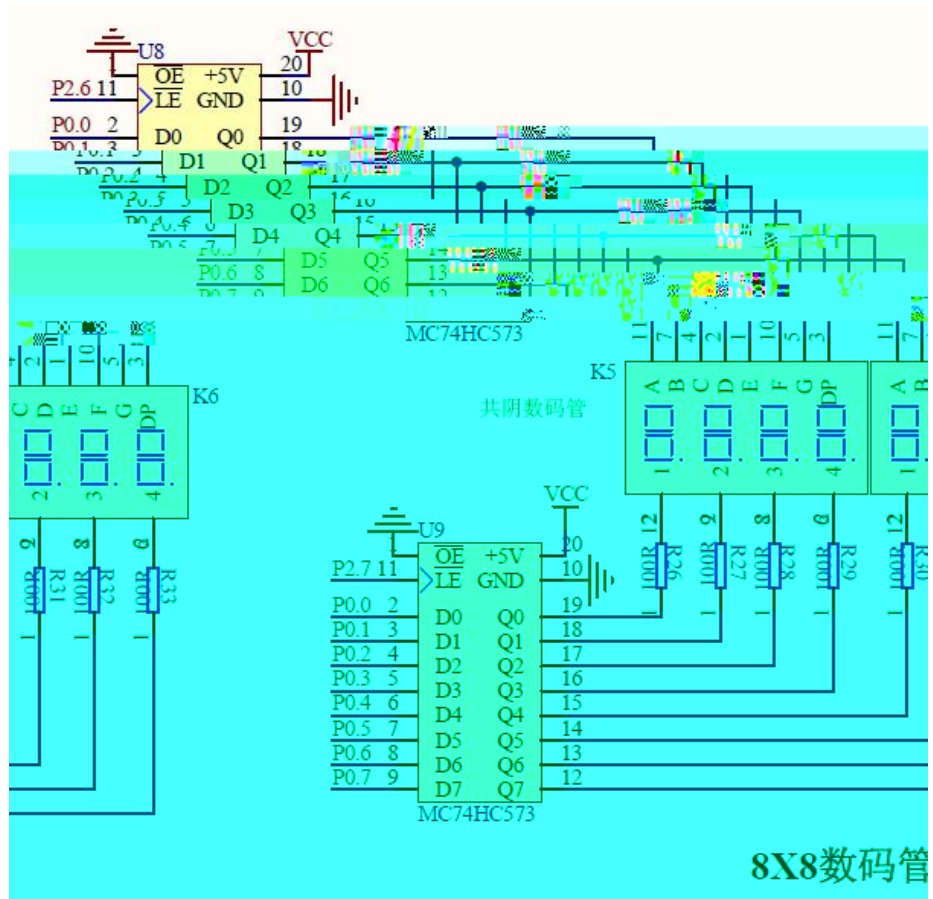








1



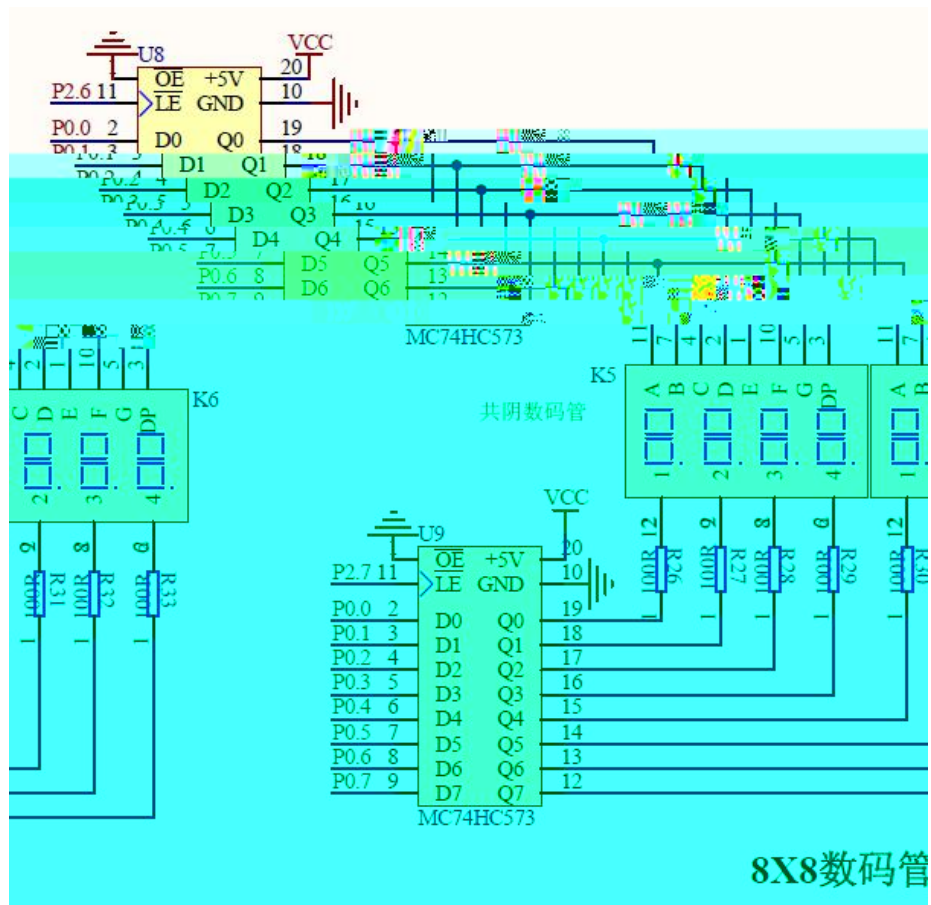
2

PCB  
E

3



1



2

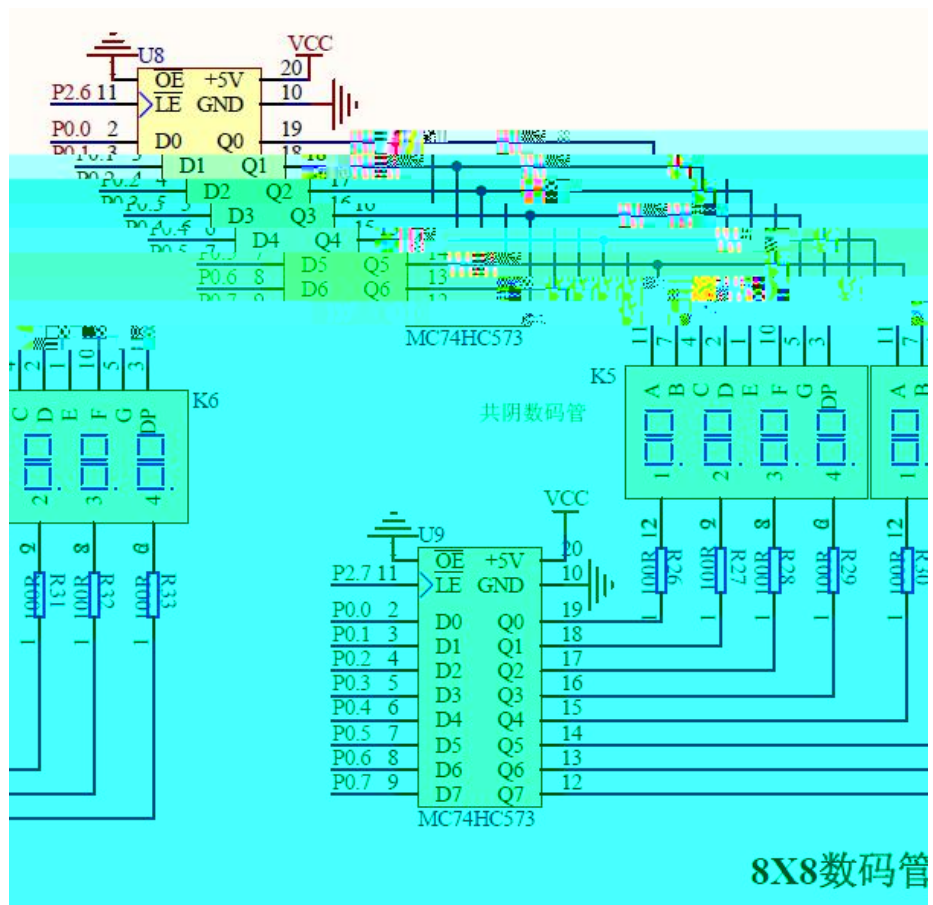
PCB

E

3



1



2

PCB

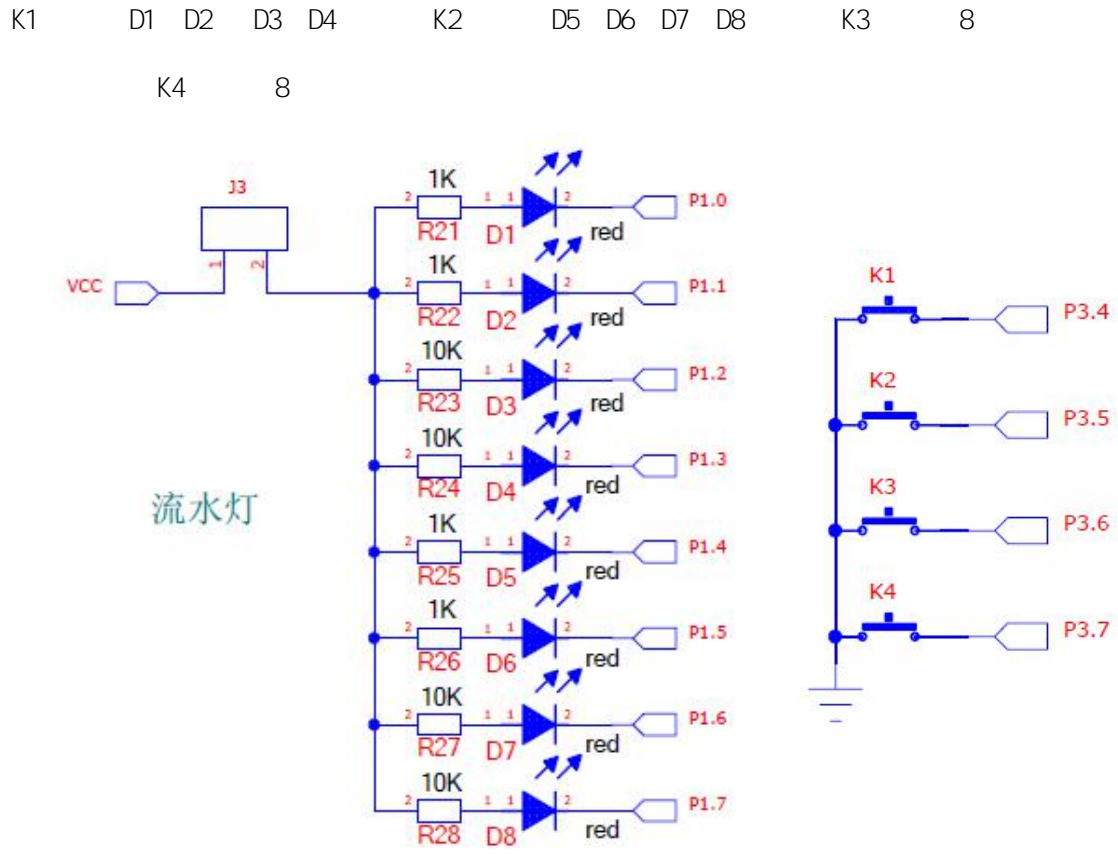
E

3





1



2

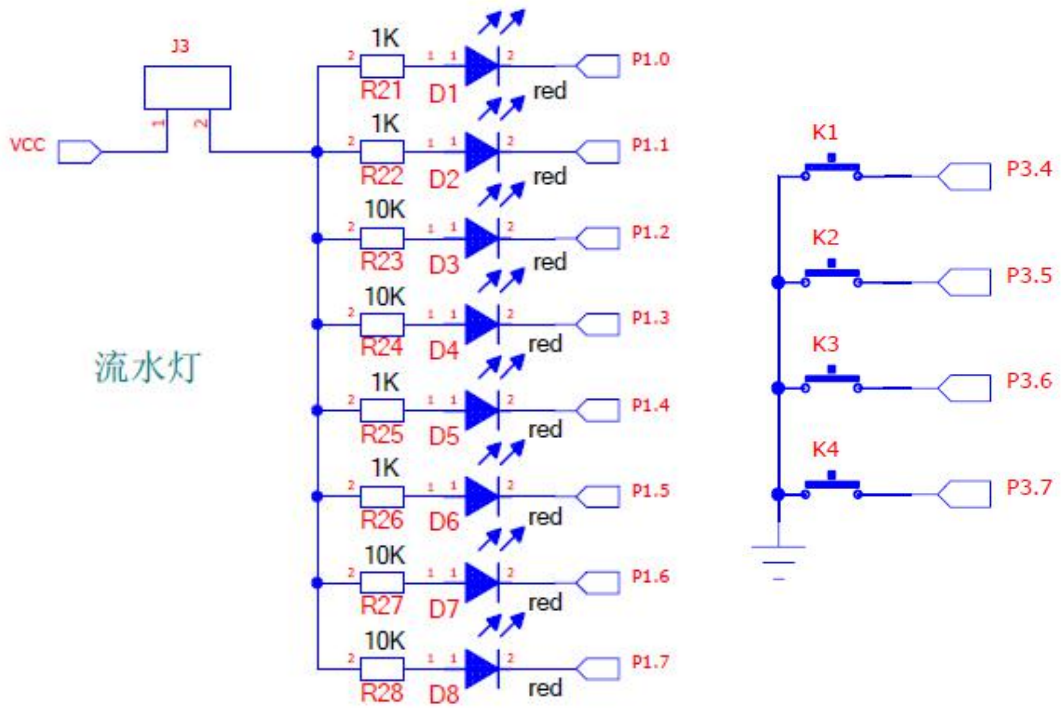
PCB  
E

3



1

K1 8



2

PCB  
E

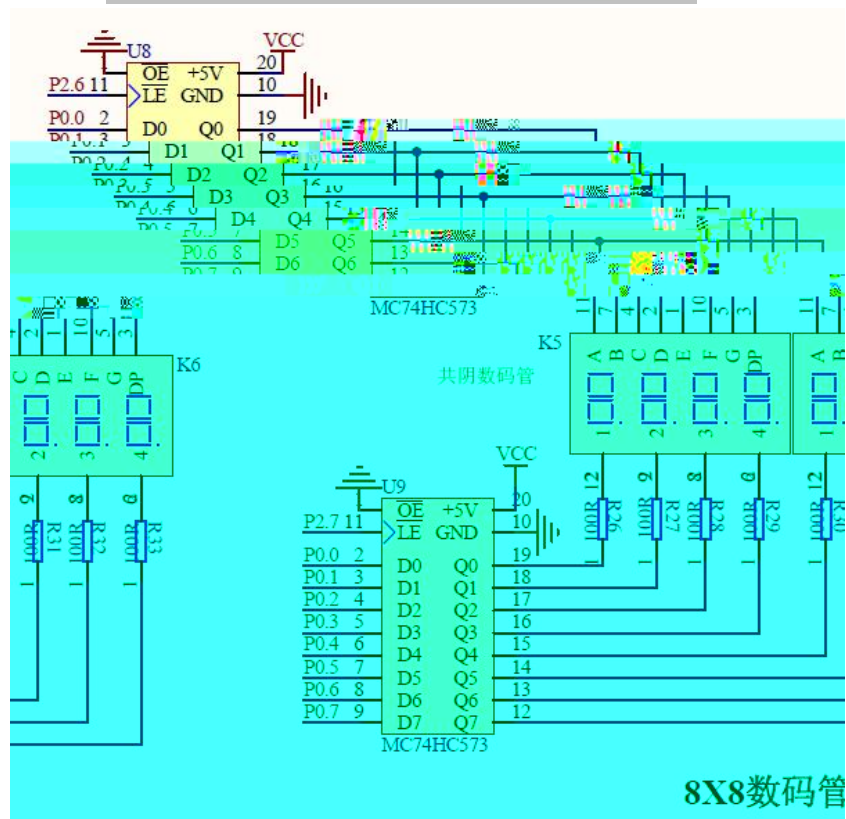
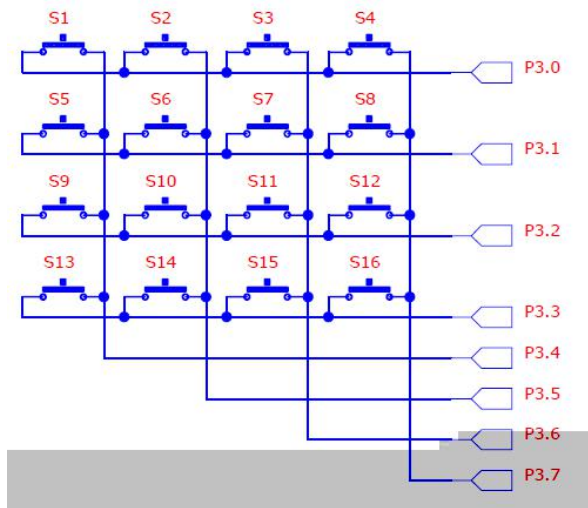
3



1

S1-S16

O-F



2

PCB

E

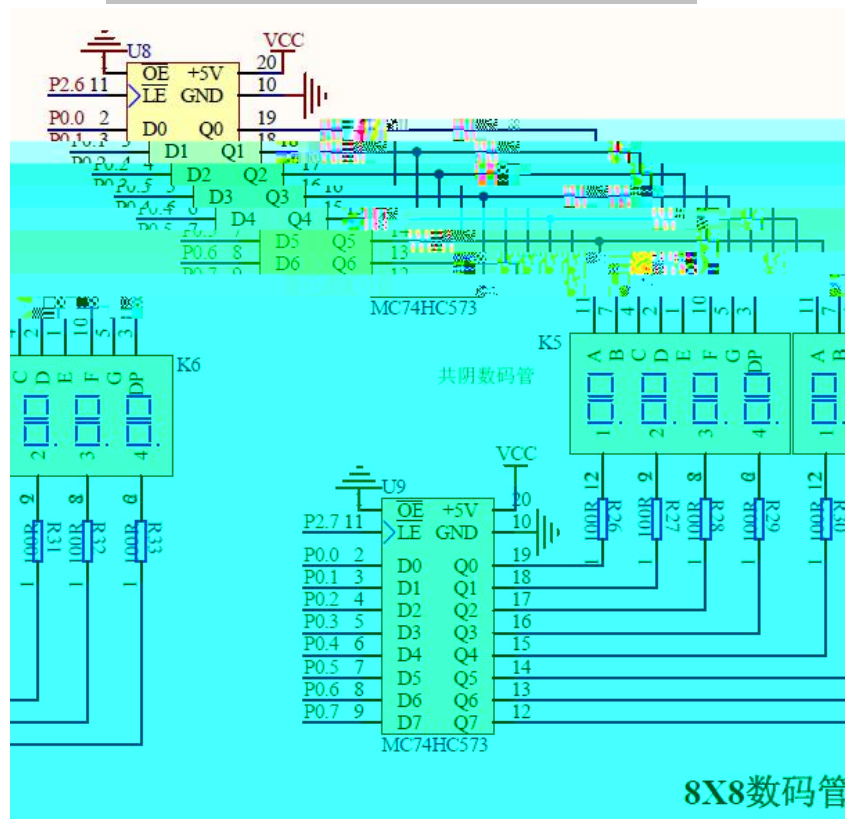
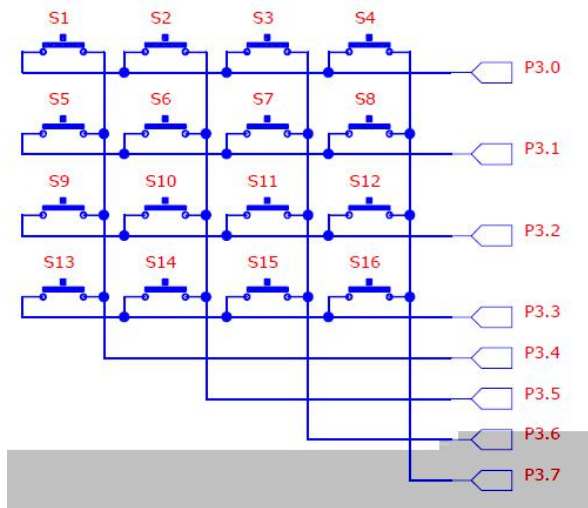
3

1

P3.2

9 0

1



8X8数码管



2

PCB

E

3

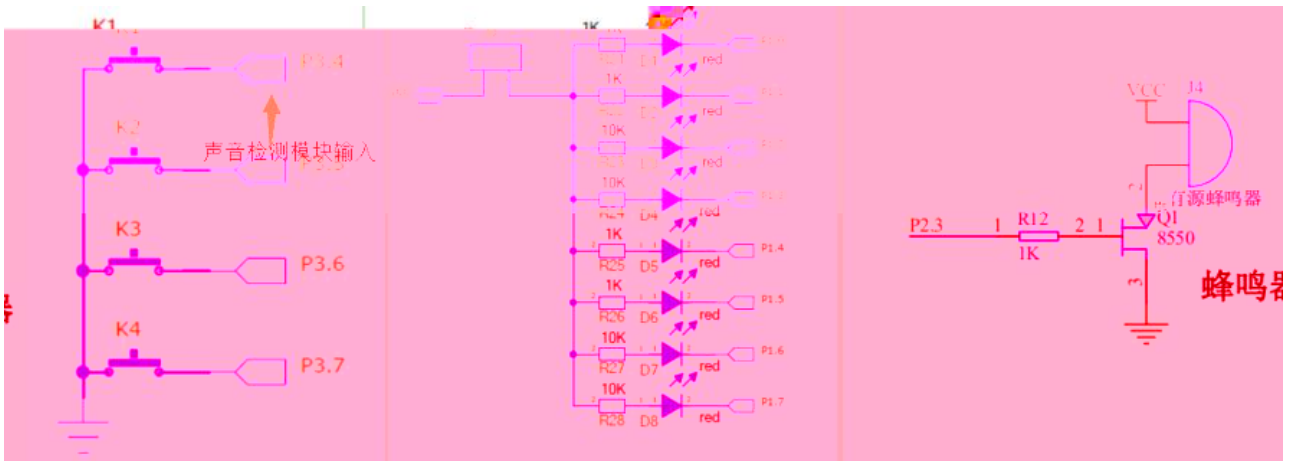
1

1

P3.4

P3.4

D1



1

2

PCB  
E

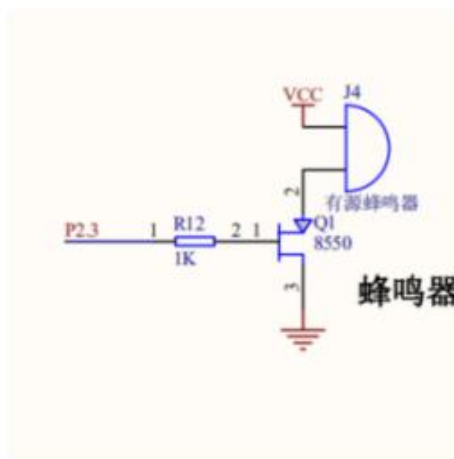
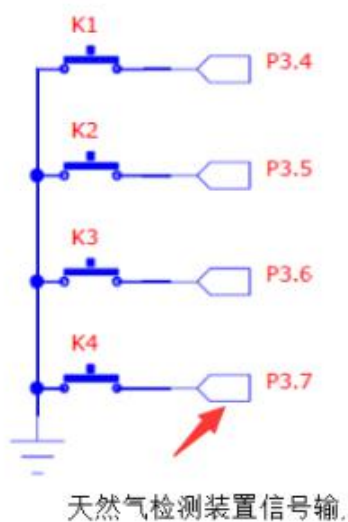
3

1

P3.7

1

P3.7



1

2

PCB  
E

3



1

1

K1

D1

K2

D2



1

2

PCB

E

3

1

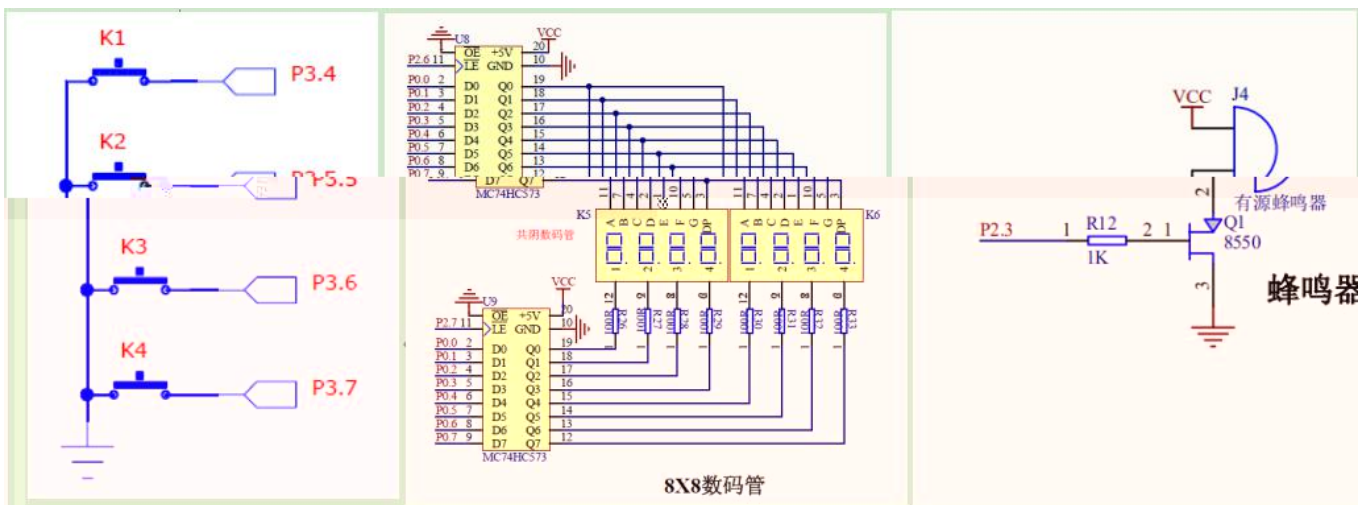
1

K1

K2 K3 K4

K1

" 1"



2

PCB

E

3



1

2



2

PCB

E

3



1

1

P3.6

P3.6



1

2

PCB

E

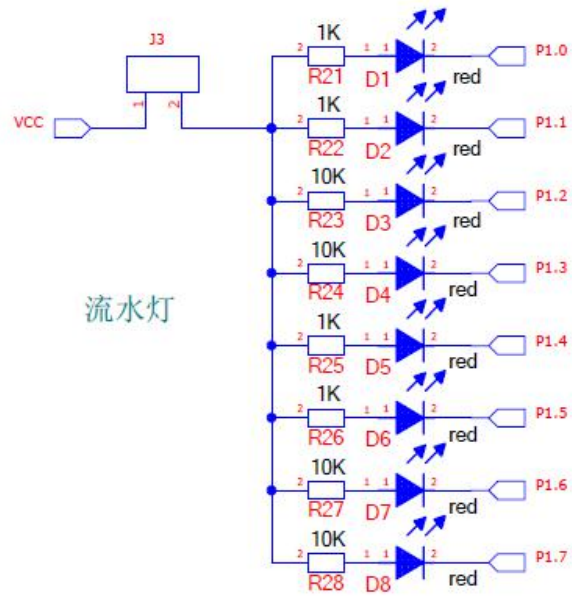
3

0



1

0.5S 0.5S



2

PCB

E

3



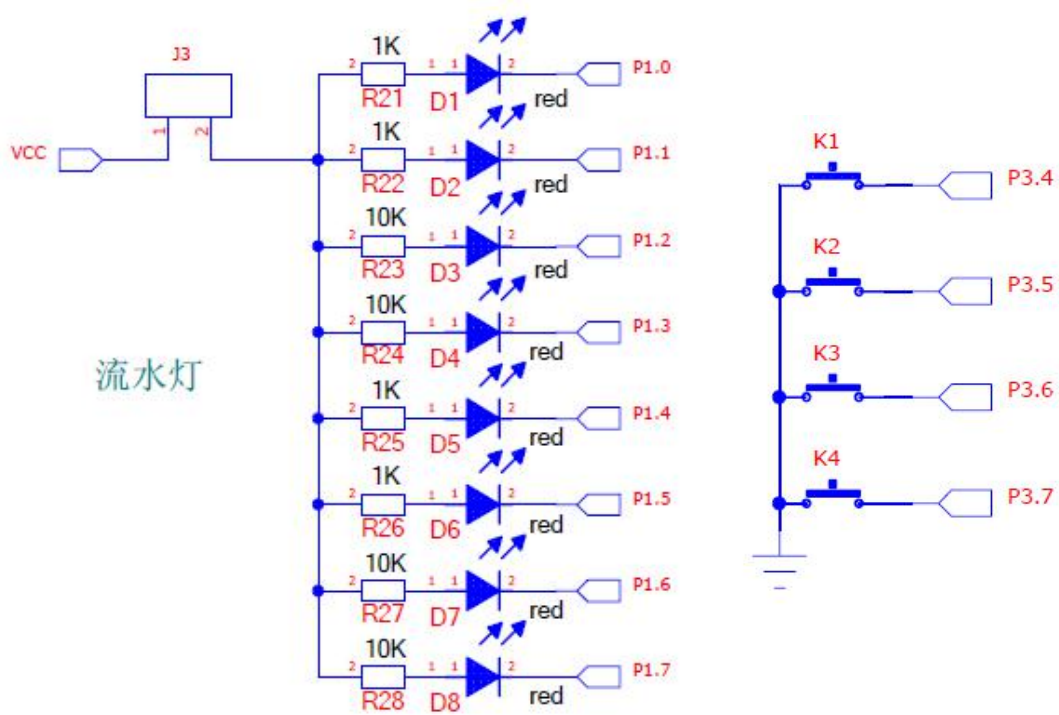
1

K1

D1-D4

K2

D5-D8



2

PCB

E

3



1

/ /

1

/ /

/ /

( )

/

1 0

20		10			0	
			1			
		10	2			
			3			

			4	
			5	
30		10		
		5		
		5		
		10		
50		5		
		5	1 2	PCB
		10		
		15	1 2 3	
		15		

5

18



1



2

3



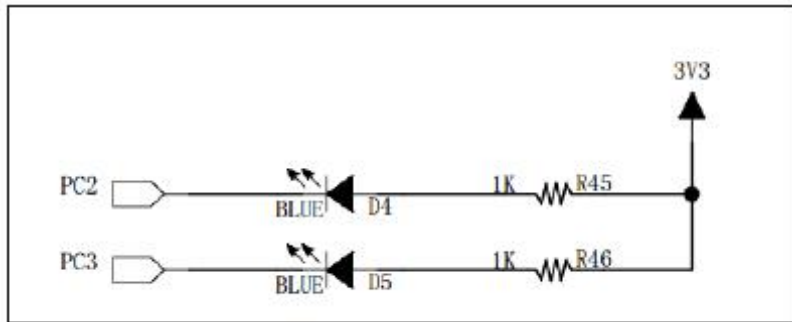
1



2

3

1



2

3

1



2

3



1



2



3





1

1	VBAT	VDD	64
2	PC13/ANT1	VSS	63
3	PC14/OSC32	PB9/TIM4_CH4/SDIO_D5	62
4	PC15/OSC32	PB8/TIM4_CH3/SDIO_D4	61
5	PD0/OSCIN	...	60
6	PD1/OSCOU	BOOT0	59
7	NRST	PB7/I2C1_SDA/TIM4_CH2	58
8	PC0/ADC10	PB6/I2C1_SCL/TIM4_CH1	57
9	PC1/ADC11	PB5/I2C1_SMBA/SPI3_MOSI/I2S3_SD	56
10	PC2/ADC12	PB4/JNTRST/SPI3_MISO	55
11	PC3/ADC13	PB3/JTDO/SPI3_SCK/I2S3_CK	54
12	VSSA	PD2/U5_RX/TIM3_ETR/SDIO_CMD	53
13	VDDA	PC12/U5_TX/SDIO_CK	52
14	PA0/WKUP/ADC0/TIM2_CH1_ETR/TIM5_CH1/TIM8_ETR	PC11/U4_RX/SDIO_D3	51
15	PA1/ADC1/TIM2_CH2/TIM5_CH2	PC10/U4_TX/SDIO_D2	50
16	PA2/U2_TX/ADC2/TIM2_CH3/TIM5_CH3	PA15/JTDI/SPI3_NSS/I2S3_WS	49
17	PA3/U2_RX/ADC3/TIM2_CH4/TIM5_CH4	PA14/JTCK/SWCLK	48
18	VDD	VDD	4
19	VSS	VSS	5
20	PA4/ADC0/ADC0/ADC0	PA13/TIM2_CH3	6
21	PA5/ADC0/ADC0/ADC0	PA12/TIM2_CH2	7
22	PA6/ADC0/ADC0/ADC0	PA11/TIM2_CH1	8
23	PA7/ADC0/ADC0/ADC0	PA10/TIM2_CH0	9
24	PA8/ADC0/ADC0/ADC0	PA9/TIM2_CH0	10
25	PA9/ADC0/ADC0/ADC0	PA8/TIM2_CH0	11
26	PA10/ADC0/ADC0/ADC0	PA7/TIM2_CH0	12
27	PA11/ADC0/ADC0/ADC0	PA6/TIM2_CH0	13
28	PA12/ADC0/ADC0/ADC0	PA5/TIM2_CH0	14
29	PA13/ADC0/ADC0/ADC0	PA4/TIM2_CH0	15
30	PA14/ADC0/ADC0/ADC0	PA3/TIM2_CH0	16
31	PA15/ADC0/ADC0/ADC0	PA2/TIM2_CH0	17
32	PA16/ADC0/ADC0/ADC0	PA1/TIM2_CH0	18
33	PA17/ADC0/ADC0/ADC0	PA0/TIM2_CH0	19
34	PA18/ADC0/ADC0/ADC0	PA15/TIM2_CH0	20
35	PA19/ADC0/ADC0/ADC0	PA14/TIM2_CH0	21
36	PA20/ADC0/ADC0/ADC0	PA13/TIM2_CH0	22
37	PA21/ADC0/ADC0/ADC0	PA12/TIM2_CH0	23
38	PA22/ADC0/ADC0/ADC0	PA11/TIM2_CH0	24
39	PA23/ADC0/ADC0/ADC0	PA10/TIM2_CH0	25
40	PA24/ADC0/ADC0/ADC0	PA9/TIM2_CH0	26
41	PA25/ADC0/ADC0/ADC0	PA8/TIM2_CH0	27
42	PA26/ADC0/ADC0/ADC0	PA7/TIM2_CH0	28
43	PA27/ADC0/ADC0/ADC0	PA6/TIM2_CH0	29
44	PA28/ADC0/ADC0/ADC0	PA5/TIM2_CH0	30
45	PA29/ADC0/ADC0/ADC0	PA4/TIM2_CH0	31
46	PA30/ADC0/ADC0/ADC0	PA3/TIM2_CH0	32
47	PA31/ADC0/ADC0/ADC0	PA2/TIM2_CH0	33
48	PA32/ADC0/ADC0/ADC0	PA1/TIM2_CH0	34
49	PA33/ADC0/ADC0/ADC0	PA0/TIM2_CH0	35
50	PA34/ADC0/ADC0/ADC0	PA15/TIM2_CH0	36
51	PA35/ADC0/ADC0/ADC0	PA14/TIM2_CH0	37
52	PA36/ADC0/ADC0/ADC0	PA13/TIM2_CH0	38
53	PA37/ADC0/ADC0/ADC0	PA12/TIM2_CH0	39
54	PA38/ADC0/ADC0/ADC0	PA11/TIM2_CH0	40
55	PA39/ADC0/ADC0/ADC0	PA10/TIM2_CH0	41
56	PA40/ADC0/ADC0/ADC0	PA9/TIM2_CH0	42
57	PA41/ADC0/ADC0/ADC0	PA8/TIM2_CH0	43
58	PA42/ADC0/ADC0/ADC0	PA7/TIM2_CH0	44
59	PA43/ADC0/ADC0/ADC0	PA6/TIM2_CH0	45
60	PA44/ADC0/ADC0/ADC0	PA5/TIM2_CH0	46
61	PA45/ADC0/ADC0/ADC0	PA4/TIM2_CH0	47
62	PA46/ADC0/ADC0/ADC0	PA3/TIM2_CH0	48
63	PA47/ADC0/ADC0/ADC0	PA2/TIM2_CH0	49
64	PA48/ADC0/ADC0/ADC0	PA1/TIM2_CH0	50

2

3



1



2

3

1

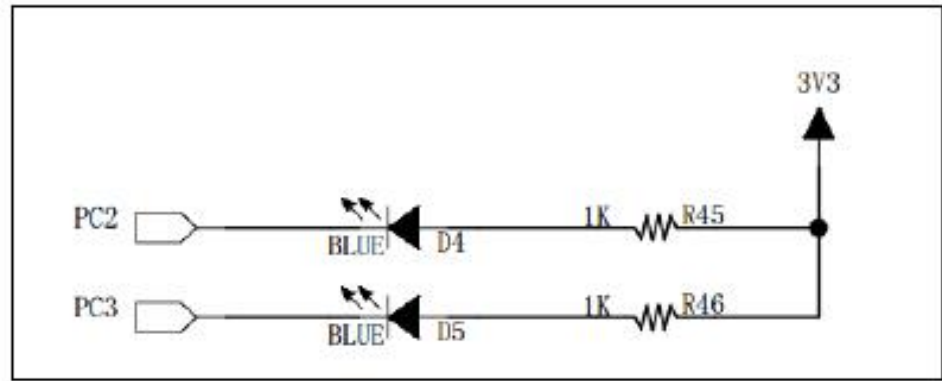
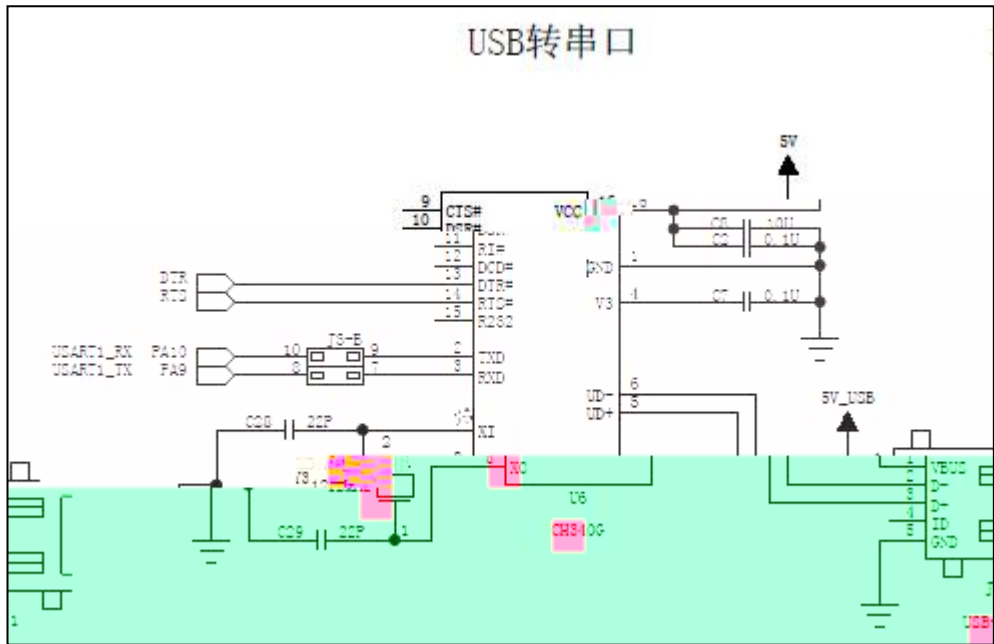
1	VBAT	VDD	64
2	PC13/ANT1	VSS	63
3	PC14/OSC32	PB9/TIM4_CH4/SDIO_D5	62
4	PC15/OSC32	PB8/TIM4_CH3/SDIO_D4	61
5	PD0/OSCIN	BOOT0	60
6	PD1/OSCCOUT	PB7/I2C1_SDA/TIM4_CH2	59
7	NRST	PB6/I2C1_SCL/TIM4_CH1	58
8	PC0/ADC10	PB5/I2C1_SMBA/SPI3_MOSI/I2S3_SD	57
9	PC1/ADC11	PB4/JNTRST/SPI3_MISO	56
10	PC2/ADC12	PB3/JTDC/SPI3_SCK/I2S3_CK	55
11	PC3/ADC13	PD2/U5_RX/TIM3_ETR/SDIO_CMD	54
12	VSSA	PC12/U5_TX/SDIO_CK	53
13	VDDA	PC11/U4_RX/SDIO_D3	52
14	PA0/WKUP/ADC0/TIM2_CH1_ETR/TIM5_CH1/TIM8_ETR	PC10/U4_TX/SDIO_D2	51
15	PA1/ADC1/TIM2_CH2/TIM5_CH2	PA15/JTDI/SPI3_NSS/I2S3_WS	50
16	PA2/U2_TX/ADC2/TIM2_CH3/TIM5_CH3	PA14/JTCK/SWCLK	49
17	PA3/U2_RX/ADC3/TIM2_CH4/TIM5_CH4	VDD	4
18	PC4	VDD	3
19	PC5	PA13/TIM8_ETR	2
20	PC6	PA12/CKI/TIM8_ETR	1
21	PC7	PA11/CKM/USART1_TX	0
22	PC8	PA10/CKP/USART1_RX	0
23	PC9	PA9/USART1_TX	0
24	PC10	PA8/USART1_RX	0
25	PC11	PA7/USART1_TX	0
26	PC12	PA6/USART1_RX	0
27	PC13	PA5/USART1_TX	0
28	PC14	PA4/USART1_RX	0
29	PC15	PA3/USART1_TX	0
30	PD2	PA2/USART1_RX	0
31	PD3	PA1/USART1_TX	0
32	PD4	PA0/USART1_RX	0
33	PD5	PA15/USART1_TX	0
34	PD6	PA14/USART1_RX	0
35	PD7	PA13/USART1_TX	0
36	PD8	PA12/USART1_RX	0
37	PD9	PA11/USART1_TX	0
38	PD10	PA10/USART1_RX	0
39	PD11	PA9/USART1_TX	0
40	PD12	PA8/USART1_RX	0
41	PD13	PA7/USART1_TX	0
42	PD14	PA6/USART1_RX	0
43	PD15	PA5/USART1_TX	0
44	PD16	PA4/USART1_RX	0
45	PD17	PA3/USART1_TX	0
46	PD18	PA2/USART1_RX	0
47	PD19	PA1/USART1_TX	0
48	PD20	PA0/USART1_RX	0
49	PD21	PA15/USART1_TX	0
50	PD22	PA14/USART1_RX	0
51	PD23	PA13/USART1_TX	0
52	PD24	PA12/USART1_RX	0
53	PD25	PA11/USART1_TX	0
54	PD26	PA10/USART1_RX	0
55	PD27	PA9/USART1_TX	0
56	PD28	PA8/USART1_RX	0
57	PD29	PA7/USART1_TX	0
58	PD30	PA6/USART1_RX	0
59	PD31	PA5/USART1_TX	0
60	PD32	PA4/USART1_RX	0
61	PD33	PA3/USART1_TX	0
62	PD34	PA2/USART1_RX	0
63	PD35	PA1/USART1_TX	0
64	PD36	PA0/USART1_RX	0

2

3



1

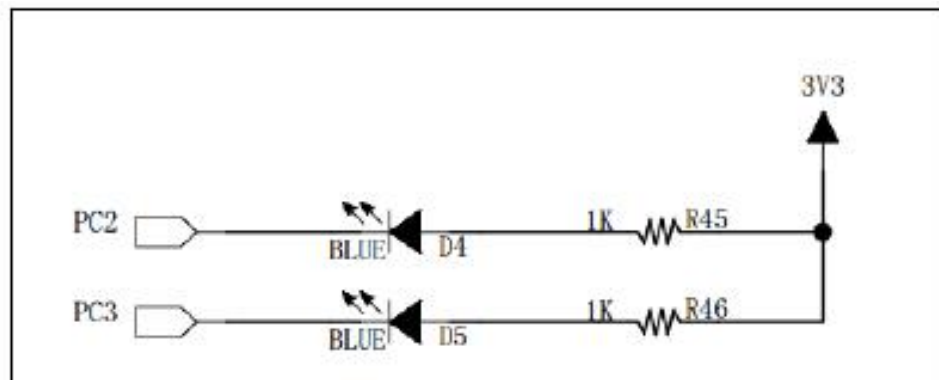
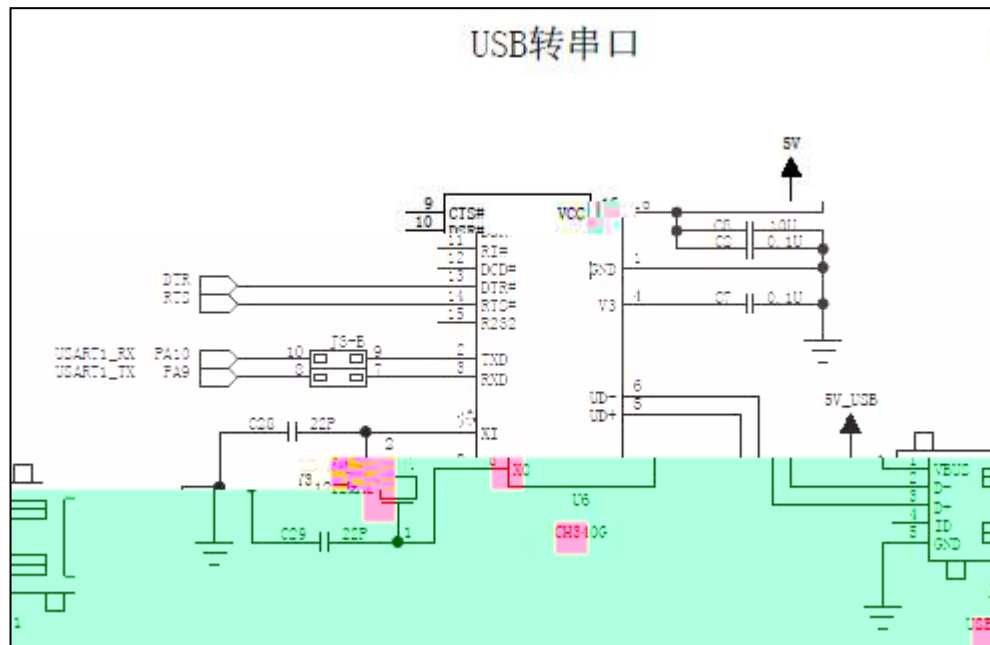


2

3

-

1



2



3

-

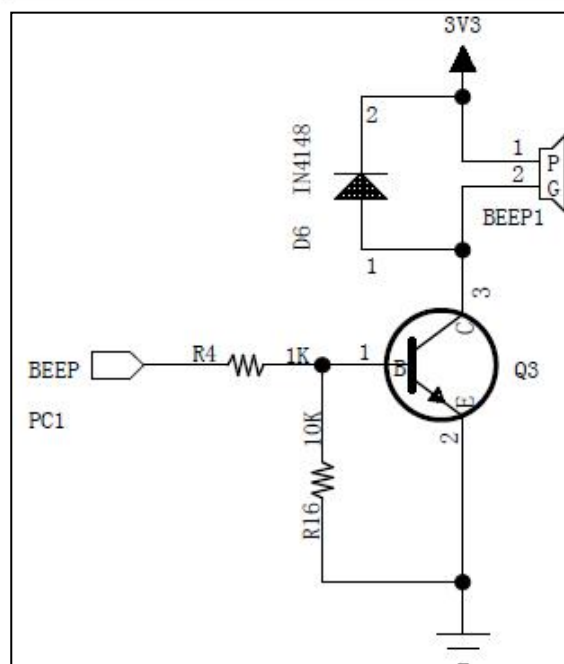
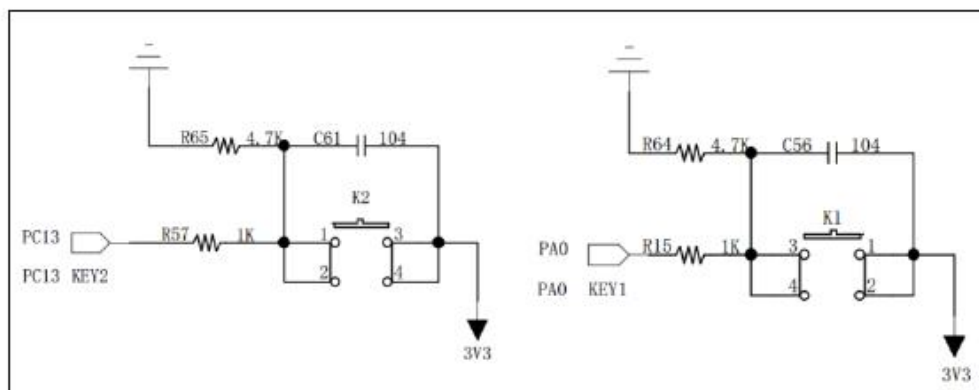
THE UNIVERSITY OF

THE STATE OF TEXAS

SYSTEM



1

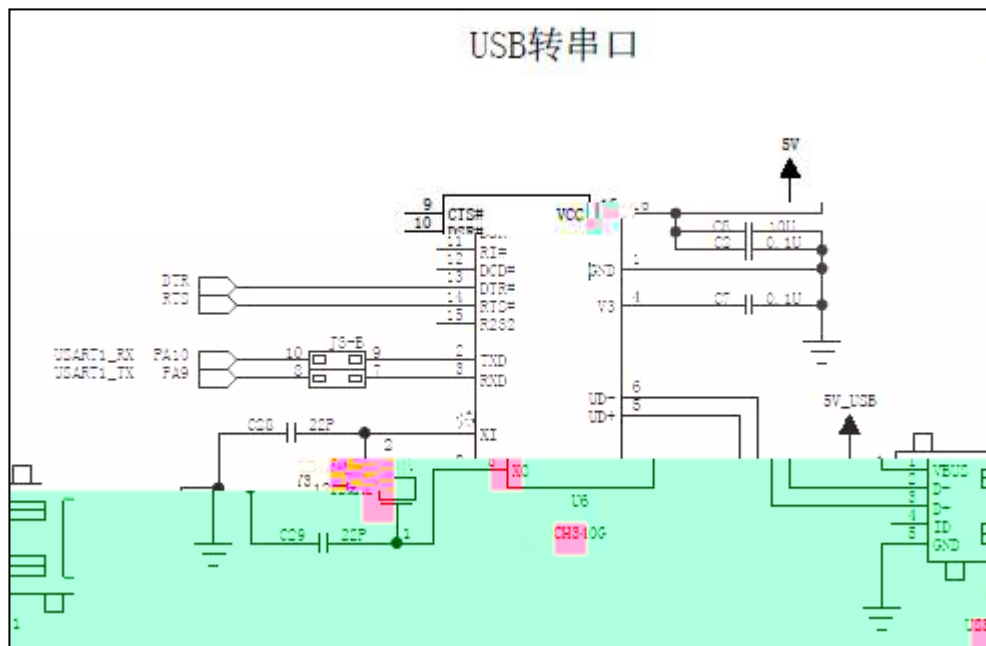


2

3

-

1

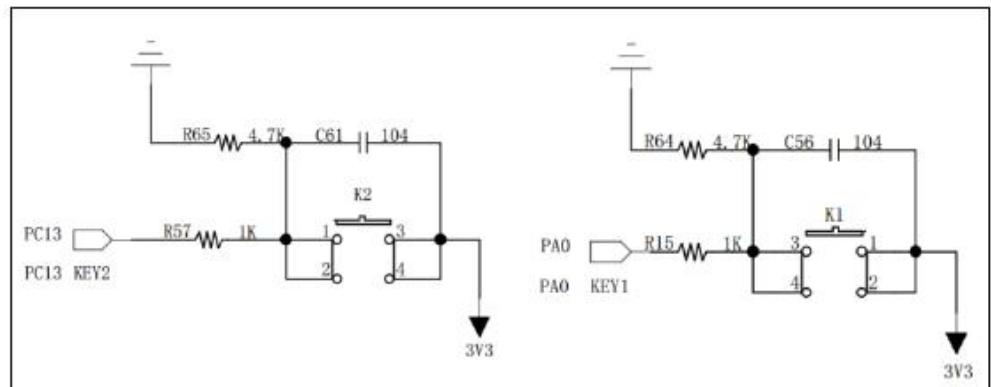
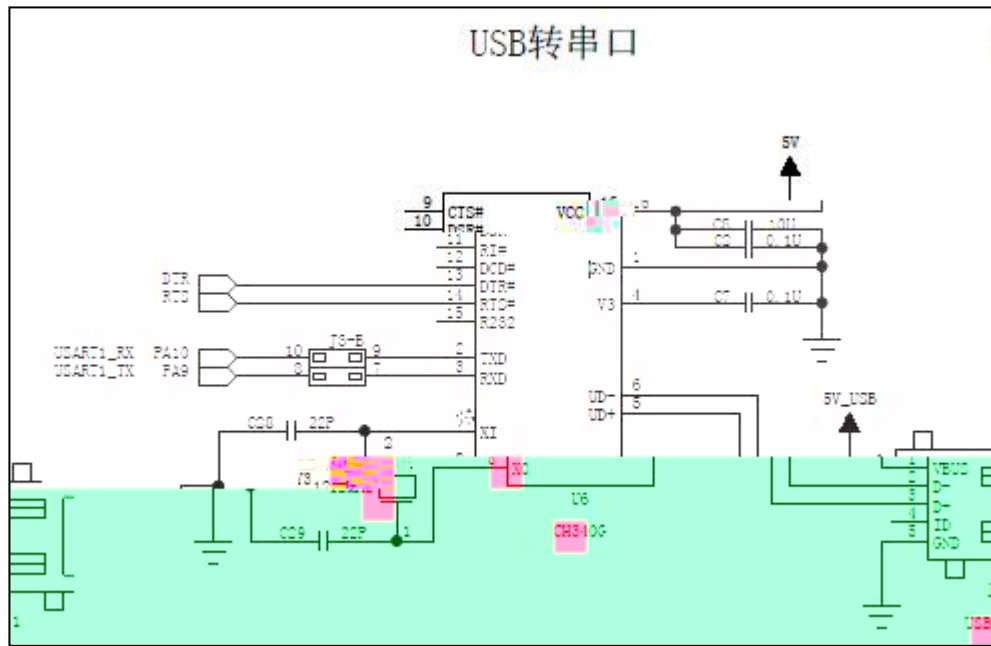


2

3

-

1



2



3

-



2

3

-

1



2

3

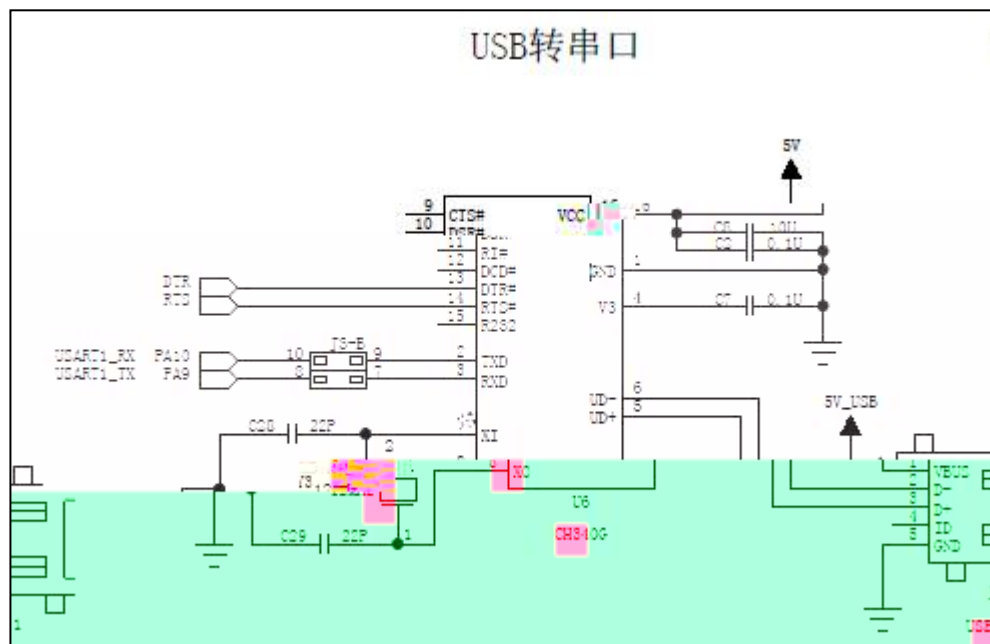


2

3

-

1



2

3

-



1

1

/ /

.0

/ /

( )

/

1 0

20		10			0	
			6			
			7			
		10	8			
			9			

			10	
30				
		10		
		10		
50				
		10		

5

18

1

2

20sp

RGB

#FF0000

欢迎光临



3

:

2  
1



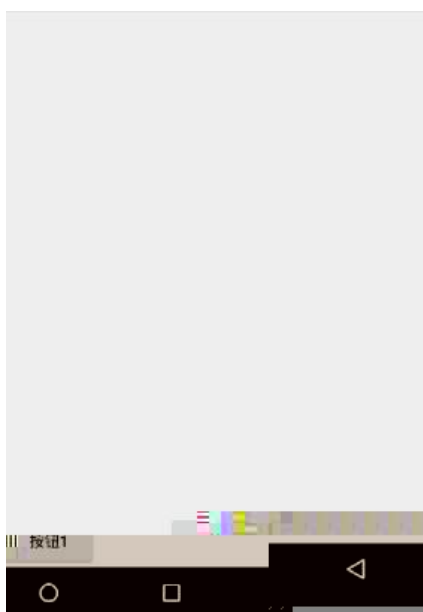
3 :

1

2

1

2



3

:

TextView

2

1



3

1

2

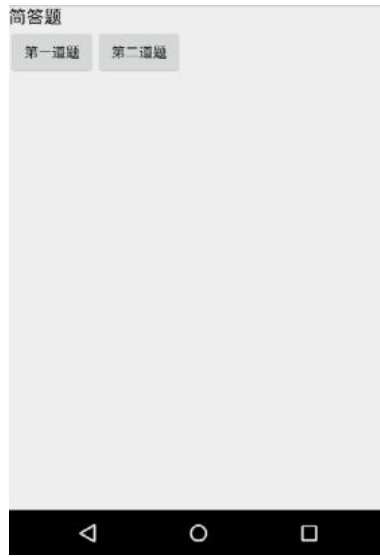


3

2

1

2



3



1

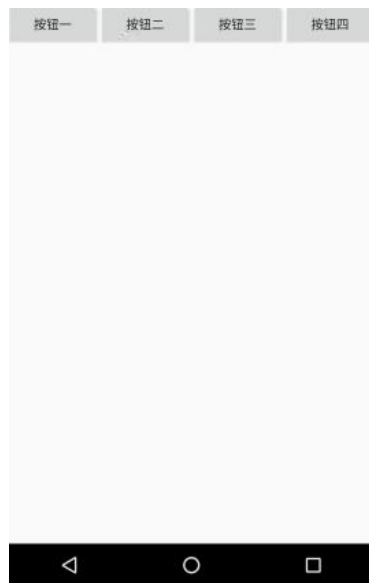
1 1 1 1

2

1

2

1 1 1 1



3

1

2

1



3

1

2

1

2



3

1

2

1

2

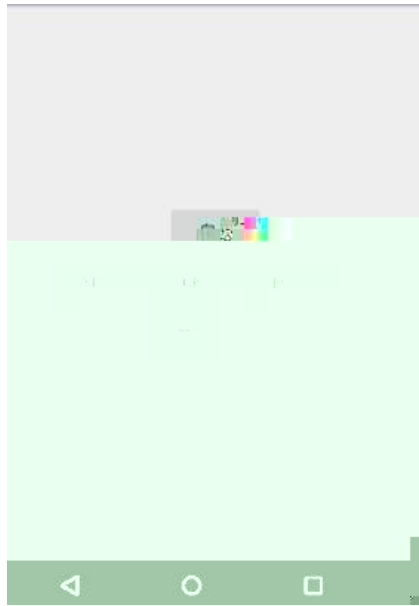


3

1

2

1



3

1

LED

2

1

2

3

TextView LED



3

1

LED

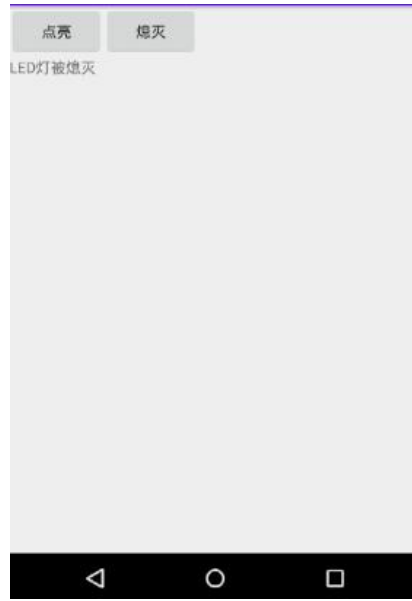
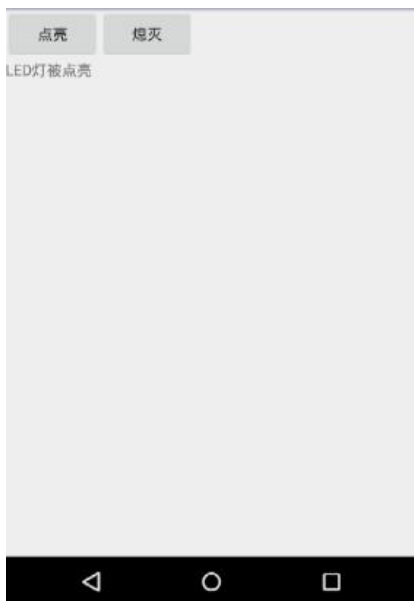
2

1

2

3

TextView LED



3

1

LED

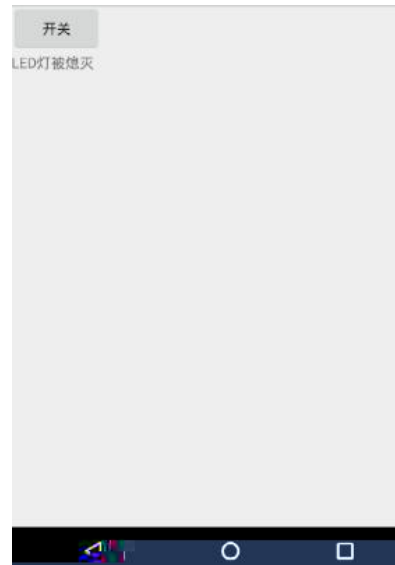
2

1

2

3

TextView LED



3



1

LED

2

1

2

3

4

TextVi ew



3

1

LED

2

1

2

3

4

ImageView

30dp\*30dp



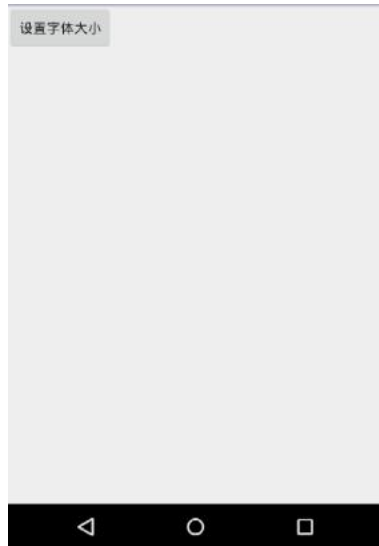
3

1

2

1

2



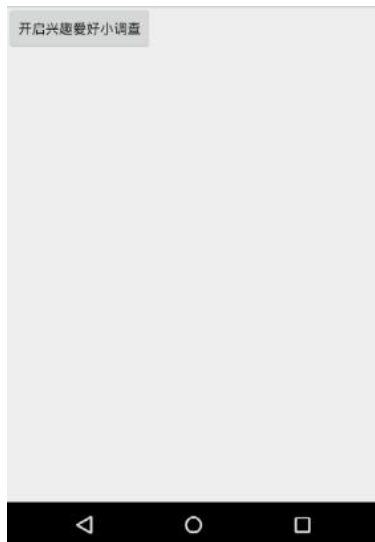
3

1

2

1

2



3